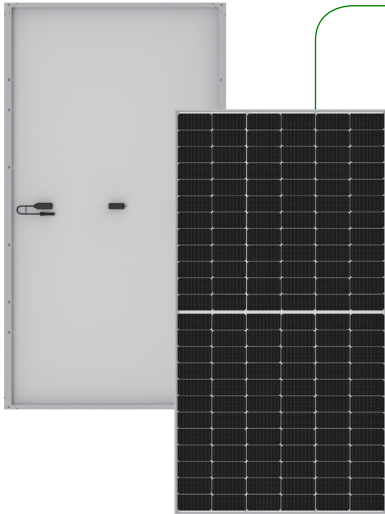


MONO

144 Half-Cells



V182 series, monofacial module



Features



High PID resistant

Advanced cell technology and qualified materials lead to high resistance to PID



High module efficiency

Advanced module technology delivers superior module efficiency



Current sorting process

System output maximized by reducing mismatch losses up to 2% with modules sorted & packaged by amperage



Low-light Performance

Positive tolerance of up to 5W delivers higher output reliability



Extended wind and snow load tests

Module certified to withstand extreme wind (3800 Pascal) and snow loads (5400 Pascal)



High system voltage Compatible

Maximum 1500VDC system voltage saves total system cost

Certifications and standards:
IEC 61215, IEC 61730, conformity to CE



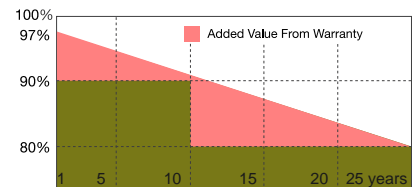
Chinayard Co.,LTD designs, manufactures and delivers high efficient solar modules to the world.

Founded in 2009, Chinayard is well known for its advanced technology, reliable product quality, and excellent customer service.

As one of leading PV enterprises, Chinayard has delivered more than 2.0G of solar products to residential, commercial, utility and off-grid projects all around the world.

Superior Warranty

- 12-year product warranty
- 25-year linear power output warranty



Chinayard distributor



Chinayard Co.,LTD

Version: CYC_V202104_EN

All information and data are subject to change without notice.

Email:chinayardliu@126.com

www.chinayard.com

Electrical characteristics at Standard Test Conditions(STC)

Model	CYC-V182- MF144-540M	CYC-V182- MF144-545M	CYC-V182- MF144-550M	CYC-V182- MF144-555M
Maximum Power(Pm)	540Wp	545Wp	550Wp	555Wp
Cell type	Mono	Mono	Mono	Mono
Optimum Operating Current(Imp)	12.97A	13.04A	13.10A	13.18A
Short Circuit Current (Isc)	13.87A	13.95A	14.02A	14.10A
Optimum Operating Voltage(V)	41.63V	41.78V	41.96V	42.09V
Open Circuit Voltage(Voc)	49.49V	49.67V	49.88V	50.04V
Maximum System Voltage	1500V			
Module efficiency	20.90%	21.10%	21.29%	21.48%

Standard Test Conditions (STC): Irradiance 1,000 W/m²; AM 1.5; module temperature 25°C.

Measuring uncertainty of power: ±3%.

Certified in accordance with IEC 61215, IEC 61730-1/2 and UL 1703.

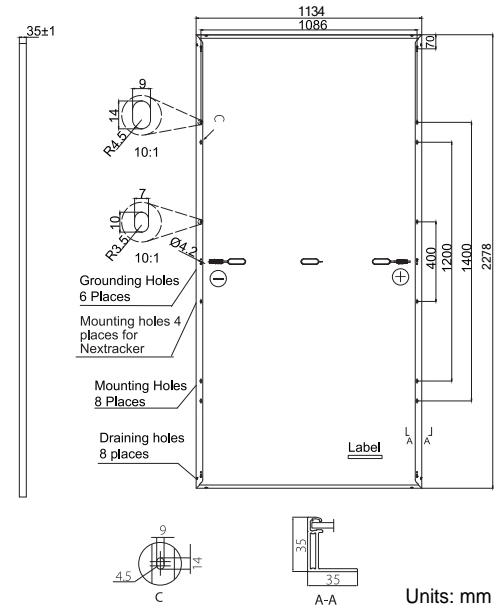
Temperature Characteristics

Nominal Operating Cell Temperature(NOCT)	45±2°C
Temperature Coefficient of Pmax	-0.35%/°C
Temperature Coefficient of Voc	-0.27%/°C
Temperature Coefficient of ISC	+0.48%/°C

Material Characteristics

Dimension	2278*1134*35mm
Weight	Appro 28.1kgs
Frame	Anodized aluminum alloy
Front Glass	low-iron tempered glass ,3.2mm
Cell Encapsulation	EVA (Ethylene-Vinyl-Acetate)
Back Sheet	Composite film
Cells (quantity/material)	144 piece solar cells
Junction Box	IP68
Cable&Connector	4mm ² , +400mm, -200mm Length can be customized

Dimensions and Structure



Packaging

31pcs/pallet
155pcs/20GP, 620pcs/40HC

Chinayard distributor



Chinayard Co.,LTD

Version: CYC_V202104_EN

All information and data are subject to change without notice.

Email: chinayardliu@126.com www.chinayard.com